

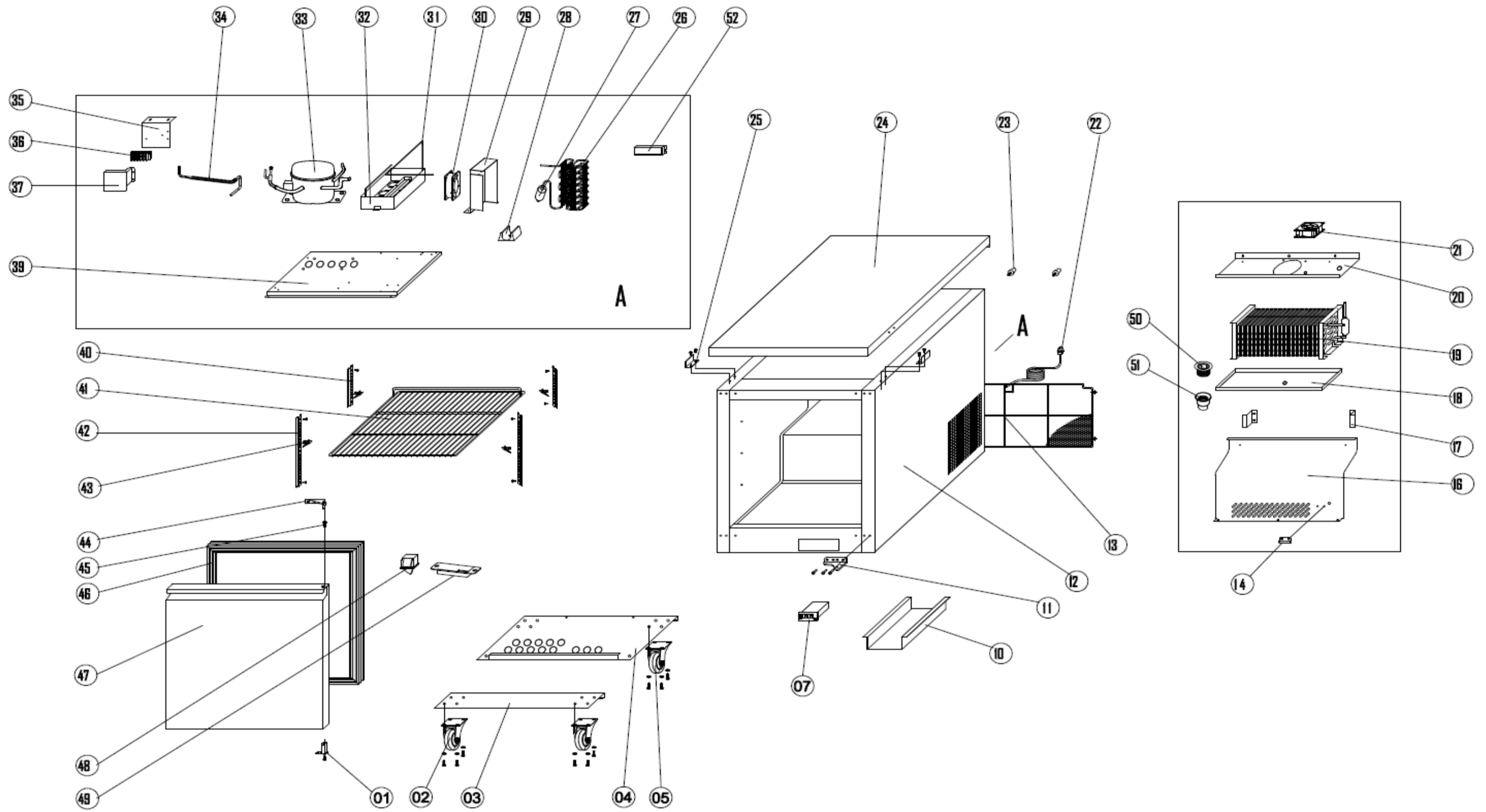


Model: KCHUC27R
PNC: 738263
REV: 4/18/2024

Spare Parts List

NO	DESCRIPTION	Serial #	QTY	COMPONENT PNC	Model Number	Model PNC
1	DOOR SPRING HINGE	ALL	1PC	0USF83	KCHUC27R	738263
2	BRAKE WHEEL	ALL	2PCS	0USF03	KCHUC27R	738263
3	Front Support Of Unit Board	ALL	1PC	0USJ57	KCHUC27R	738263
4	Back Support Of Unit Board	ALL	1PC	0USJ58	KCHUC27R	738263
5	Normal Wheel	ALL	2PCS	0USH63	KCHUC27R	738263
5a	Castor Mounting Bolt (4-PACK)	ALL	4PC	0USC2U	KCHUC27R	738263
5b	Castor Mounting Locking Washer (4-PACK)	ALL	4PC	0USC4A	KCHUC27R	738263
5c	Castor Mounting Flat Washer (4-PACK)	ALL	4PC	0USC2X	KCHUC27R	738263
7	TEMPERATURE CONTROLLER	<00521023	1PC	0USF42	KCHUC27R	738263
		≥00521023	1PC	0USDET	KCHUC27R	738263
7a	Inner Chest Temperature Sensor Probe	ALL	1PC	0USC4C	KCHUC27R	738263
7b	Controller Mounting Plate	ALL	1PC	0USDIF	KCHUC27R	738263
10	CABLE COVER	ALL	1PC	0USK07	KCHUC27R	738263
11	Down Hinge/Right	ALL	1PC	0USF81	KCHUC27R	738263
12	Body	ALL	1PC	N/A	KCHUC27R	738263
13	Unit Room Cover	ALL	1PC	0USI13	KCHUC27R	738263
14	Sensor Fixed Clip	ALL	1PC	0USM10	KCHUC27R	738263
16	Evaporator Cover	ALL	1PC	0USO12	KCHUC27R	738263
17	FIXED SUPPORT OF EVAPORATOR COVER	ALL	2PCS	0USK05	KCHUC27R	738263
18	Evaporator Water Pan	ALL	1PC	0USG58	KCHUC27R	738263
19	Evaporator	ALL	1PC	0USG35	KCHUC27R	738263
19a	Evaporator Temperature Sensor Probe	ALL	1PC	0USC6R	KCHUC27R	738263
20	Circle Fan Support	ALL	1PC	0USK34	KCHUC27R	738263
21	Circle Fan	ALL	1PC	096250	KCHUC27R	738263
22	PLUG	ALL	1PC	0USH67	KCHUC27R	738263
23	LOCATION KNOB	ALL	2PCS	0USH46	KCHUC27R	738263
24	Top	ALL	1PC	0USL07	KCHUC27R	738263
25	TOP CLIP	ALL	2PCS	0USL80	KCHUC27R	738263
26	Condenser	ALL	1PC	0USF38	KCHUC27R	738263
27	FILTER DRIER	ALL	1PC	0USG65	KCHUC27R	738263
27a	CAPILLARY	ALL	1PC	0USL57	KCHUC27R	738263
28	DRIER SUPPORT	ALL	1PC	0USI78	KCHUC27R	738263
29	Condenser Fan Board	ALL	1PC	0USK25	KCHUC27R	738263
30	Condenser Fan	ALL	1PC	0USF14	KCHUC27R	738263
31	Evaporate Pipe	ALL	1PC	0USG19	KCHUC27R	738263
32	WATER BOX	ALL	1PC	0USI34	KCHUC27R	738263
33	Compressor	ALL	1PC	0USF24	KCHUC27R	738263
33a	COMPRESSOR ELECTRICAL COMPONENT SET	ALL	1PC	0USDF1	KCHUC27R	738263
34	Suction Pipe	ALL	1PC	0USO14	KCHUC27R	738263
35	CONNECTOR SUPPORT	ALL	1PC	0USDEE	KCHUC27R	738263
36	Cable Connector	ALL	1PC	0USF09	KCHUC27R	738263
37	CONNECTOR COVER	ALL	1PC	0USJ98	KCHUC27R	738263
39	UNIT BOARD	ALL	1PC	0USK24	KCHUC27R	738263
40	SHELF SUPPORT B	ALL	2PCS	0USI66	KCHUC27R	738263
40a	Shelf Support Screw	ALL	4PCS	0USM14	KCHUC27R	738263
41	Shelf	ALL	1PC	0USCOV	KCHUC27R	738263
42	SHELF SUPPORT A	ALL	2PCS	0USI44	KCHUC27R	738263
42a	Shelf Support Screw	ALL	6PCS	0USM14	KCHUC27R	738263
43	K Shape Clip	ALL	4PCS	0USH19	KCHUC27R	738263
44	UP HINGE /RIGHT	ALL	1PC	0USI17	KCHUC27R	738263
45	BUSHING	ALL	1PC	096268	KCHUC27R	738263

46	Gasket	ALL	1PC	0USG99	KCHUC27R	738263
47	Door	ALL	1PC	0USF62	KCHUC27R	738263
48	DOOR SWITCH	ALL	1PC	096253	KCHUC27R	738263
49	Door Switch Case	ALL	1PC	0USF88	KCHUC27R	738263
50	DRAIN PIPE(B EXT)	ALL	1PC	096263	KCHUC27R	738263
51	DRAIN PIPE(A INT)	ALL	1PC	0USG04	KCHUC27R	738263
51a	DRAIN FIXER	ALL	1PC	0USN75	KCHUC27R	738263
51b	DRAIN PIPE	ALL	1PC	0USM54	KCHUC27R	738263
52	Transformer	ALL	1PC	096252	KCHUC27R	738263



EXPLODE OF KCHUC27R